

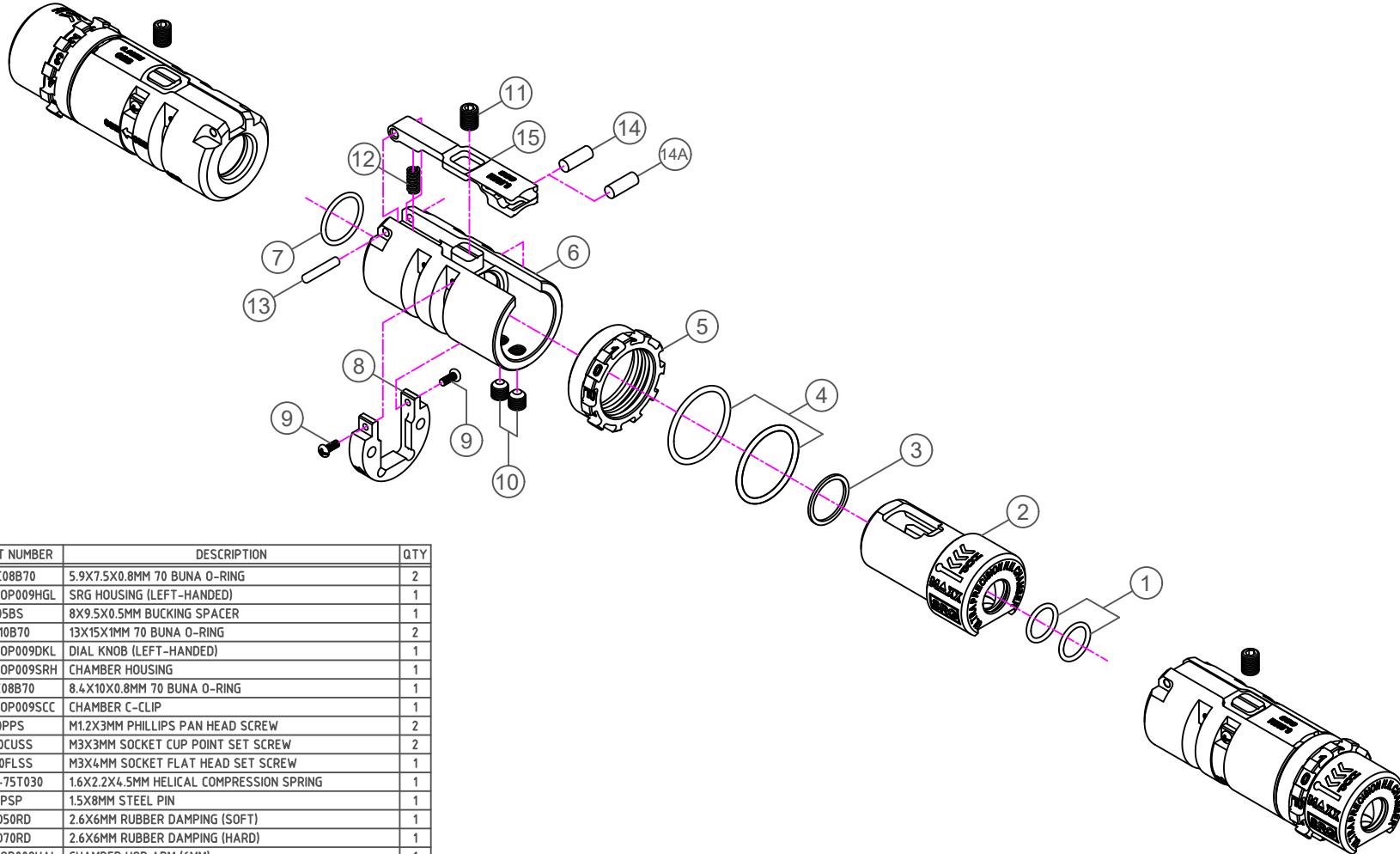
## ULTRA PRECISION HOPUP CHAMBER SRG (L/H)

MAXX MODEL PRODUCTS, INC.

COPYRIGHT © 2019

**3**

**EXPLODED VIEW**



ITEM	PART NUMBER	DESCRIPTION	QTY
1	5975C08B70	5.9X7.5X0.8MM 70 BUNA O-RING	2
2	MX-HOP009HGL	SRG HOUSING (LEFT-HANDED)	1
3	809505BS	8X9.5X0.5MM BUCKING SPACER	1
4	1315C10B70	13X15X1MM 70 BUNA O-RING	2
5	MX-HOP009DKL	DIAL KNOB (LEFT-HANDED)	1
6	MX-HOP009SRH	CHAMBER HOUSING	1
7	8410C08B70	8.4X10X0.8MM 70 BUNA O-RING	1
8	MX-HOP009SCC	CHAMBER C-CLIP	1
9	M1230PPS	M1.2X3MM PHILLIPS PAN HEAD SCREW	2
10	M3030CUSS	M3X3MM SOCKET CUP POINT SET SCREW	2
11	M3040FLSS	M3X4MM SOCKET FLAT HEAD SET SCREW	1
12	2245-75T030	1.6X2.2X4.5MM HELICAL COMPRESSION SPRING	1
13	15800PSP	15X8MM STEEL PIN	1
14	2660D50RD	2.6X6MM RUBBER DAMPING (SOFT)	1
14A	2660D70RD	2.6X6MM RUBBER DAMPING (HARD)	1
15	MX-HOP009HAL	CHAMBER HOP ARM (6MM)	1

**CAUTION: Please check your model carefully before operation!**

REV. MX-HOP009SGL-241219-02